

TORK ALERT™ SIGNALING DEVICES

24 VDC POWER SUPPLIES



TA 606



TA 640

APPLICATIONS

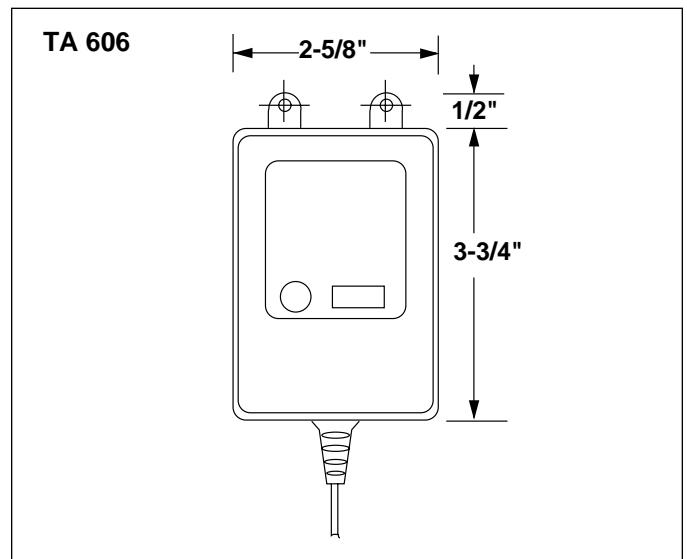
Able to power several signaling devices depending on requirements of each unit. Easy-to-use screw terminals accept #16 AWG to #24 AWG. No conduit is required and installation is fast and simple.

FEATURES

- Regulated and filtered 24VDC up to 600 mA
- Current limiting, short circuit, and overload protected – with auto shutdown and reset.
- Convenient wall mounting with 6 ft. power cord.

Model Number	Input Voltage	Output Voltage
TA606	115 VAC	24VDC

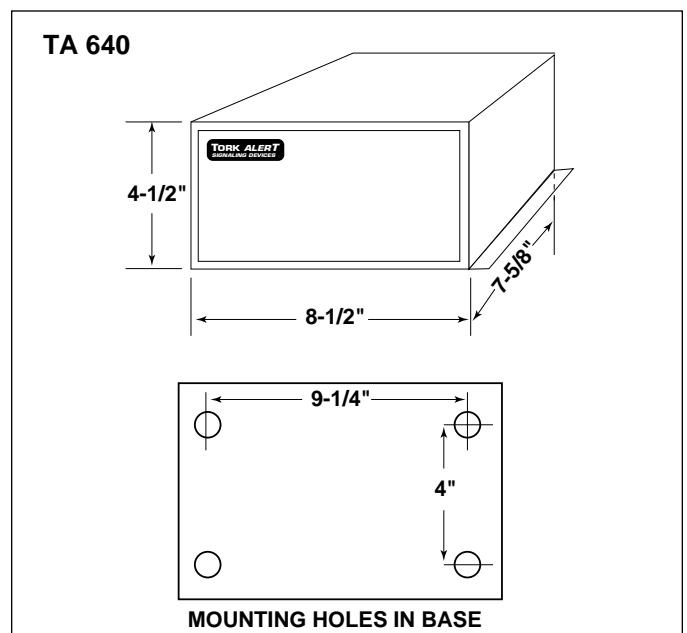
DIMENSIONS



APPLICATIONS

Dual power supply consists of two outputs, each providing 2 Amps of current at 24 VDC. If connected in parallel, will provide up to 4 Amps. Circuit breaker provides input protection.

Model Number	Input Voltage	Output Voltage	Output Current	Regulation	Ripple Voltage
TA640	115 VAC	24 VDC	4A	±5%	10mVRMS



SIGNALS