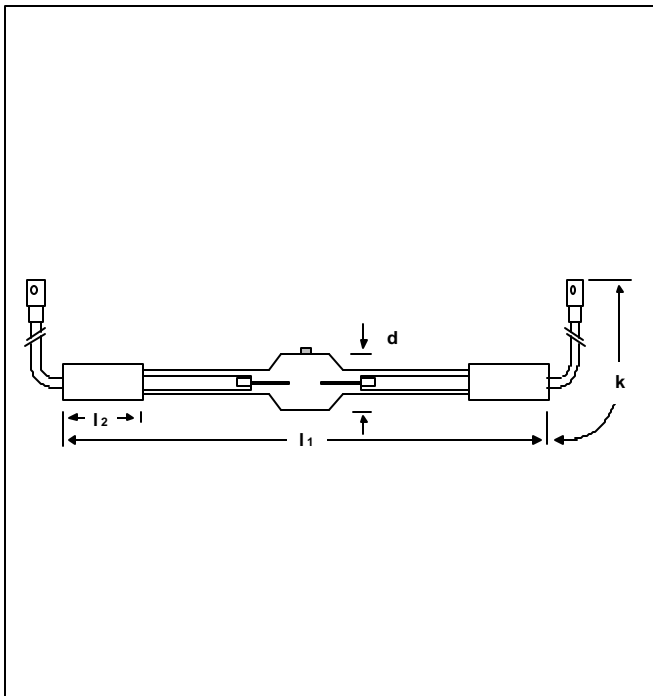


# HTI<sup>â</sup> 4000 W/DE Metal Halide Lamp



- Double ended metal halide lamp
- Compact design
- Short arc
- Daylight character (6,300 K)
- Very high luminance
- High luminous efficacy
- Operation on standard ballasts or on electronic power supplies (ECG)

## TECHNICAL DATA

Lamp order reference	HTI 4000 W/DE	
<b>Electrical data:</b>		
Type of current	Sine-wave AC	
Rated power	4,000	W
Rated voltage	115	V
Rated current	39	A
Ignition voltage (cold/hot)	9 / 50	kV <sub>s</sub>
<b>Photometric data:</b>		
Luminous flux	360,000	lm
Average luminance	35,000	cd/cm <sup>2</sup>
<b>Geometrical data:</b>		
Electrode gap (cold)	15	mm
Diameter (d)	40	mm
Cable length (k)	140	mm
Length (l <sub>1</sub> ) max.	270	mm
Length (l <sub>2</sub> )	60	mm
<b>Other data:</b>		
Max. permitted base temperature	230	°C
Cooling	Forced cooling	
Color temperature	6,300	K
Average service life	500	h
Base	S25,5	
Operating position	Horizontal ± 30°	

## APPLICATION INFORMATION

### Applications

- Effect lighting
- Discotheque lighting

### WARNING

This lamp emits a high level of ultraviolet (UV) radiation and operates at high pressure. Before use, read the complete warning accompanying the product.

### Disposal

When disposing of spent lamps, always consult federal, state, local and provincial hazardous waste disposal rules and regulations to ensure proper disposal.

## ORDERING INFORMATION

Lamp description:	<b>HTI 4000 W/DE</b>
NAED-Code:	54133
Standard case qty.:	1/case